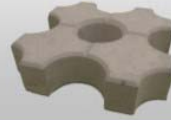
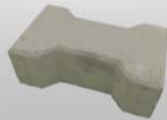


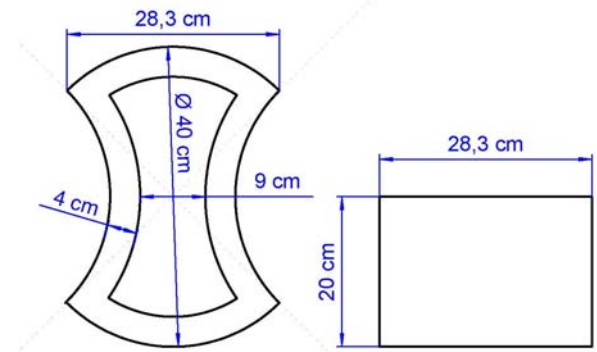
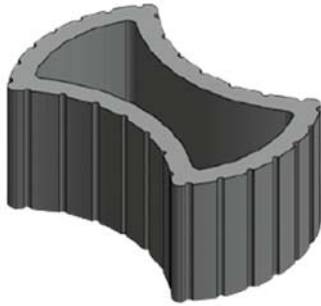


RED SQUARE



PAVERS

FlowerWall Element Type X



FlowerWall Element Type X, diameter 40 cm, height 20 cm, thickness 4 cm. The elements can be assembled to form a vertical wall. They are easily transportable and can be utilized for temporary and permanent installations. On the other hand, they are too heavy to be stolen easily. A **FlowerWall** may be employed to demarcate driveways or block access for vehicles, or hide something from view. Or just simply serve as beautification.

FlowerWall Elements are available in natural concrete color and in all colors of the **Rain or Shine** Elastomeric Color palette.

Dimensions:

Element Type X	Diameter	Height	Thickness	Weight	Daily Capacity
Element Type X	40 cm	20 cm	4.0 cm	24 kg	15
Element Type X	15.7 in	7.8 in	1.57 in	53 lbs	15

