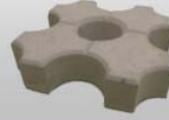
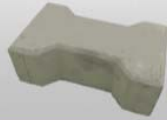


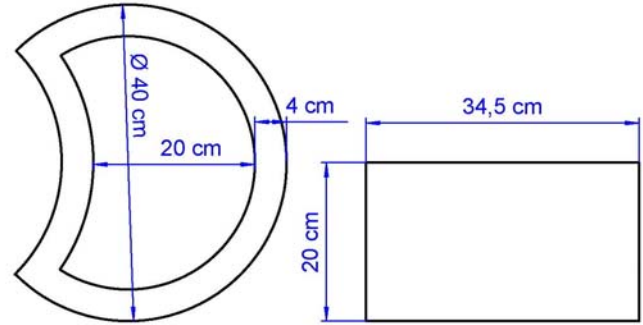


RED SQUARE



PAVERS

FlowerWall Element Type D



FlowerWall Element Type D, diameter 40 cm, height 20 cm, thickness 4 cm. In combination with **FlowerWall Element Type O** it can be assembled in any way to form a receding wall. The elements are easily transportable and can be utilized for temporary and permanent installations. On the other hand, they are too heavy to be stolen easily. A **FlowerWall** may be employed to demarcate driveways or block access for vehicles, support slopes and hide something from view. Or just simply serve as beautification. **FlowerWall Elements** are available in natural concrete color and in all colors of the **Rain or Shine** elastomeric color palette.

Dimensions:

Element Type D	Diameter	Height	Thickness	Weight	Daily Capacity
Element Type D	40 cm	20 cm	4.0 cm	26 kg	30
Element Type D	15.6 in	7.8 in	1.57 in	57 lbs	30

