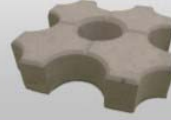
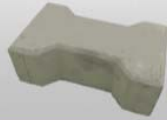


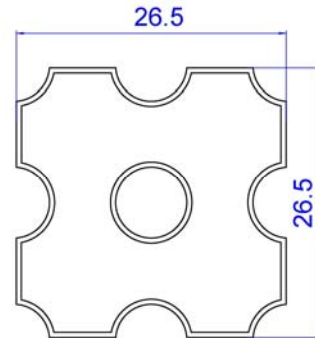


# RED SQUARE



# PAVERS

## Data Sheet Small Grass Paver



### Description:

Small grass paver, **26.5 x 26.5 cm** (10.5" x 10.5"), color gray (natural concrete), thickness **5 cm** (2.0"), 14.25 pieces per square meter, concrete compression testing results greater 3000 PSI, Curing time for concrete is 28 days but compression testing should only be carried out after 45 days. Can be laid directly unto the soil.

### Dimensions available:

Small grass paver	Length	Width	Thickness	Weight	Daily Capacity
Small grass paver	26.5 cm	26.5 cm	5 cm	4.90 kg	100
Small grass paver	10.5 in	10.5 in	2.0 in	10.8 lbs	100

### Colors:

Colors available are gray (natural concrete), red, yellow, black and green. Other colors available on request. **We only use iron oxide pigments imported from the U.S.**

### IMPORTANT!

If the substrates below the pavers are not well compacted the pavers will give way individually. Therefore always ensure good compaction during installation.